



3 in 1 staples, nails & pins



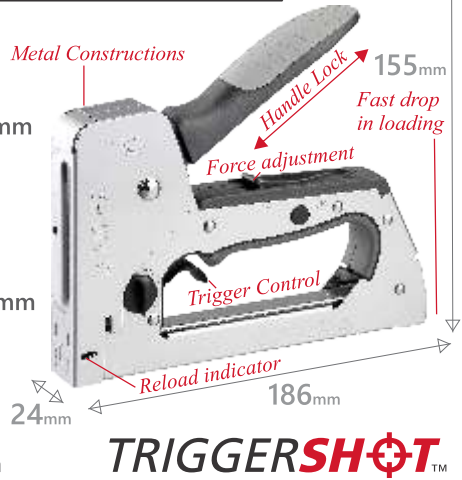
Gauge : 18G
Type : T50
Range : 6~14mm



Gauge : 18G
Type : T14
Range : 12~14mm



Gauge : 18G
Type : Pin
Range : 14mm



MILTS5670T

All metal robust construction. Sleek design with no loose part. With force adjustment. Easy drop-in loading with reload indicator. Handle lock for easy storage. Ergonomic handle with soft rubber grip for extra working comfort & less fatigue.

- Trigger Fire or Normal Stapling
- Flush Stapling



- Drop-in Loading
- No loose Parts

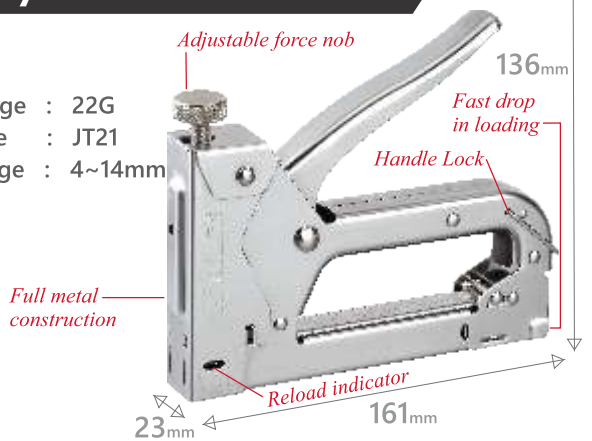
Perfect for:

- Insulation Material
- Ceiling Panels
- Upholstery
- Carpentry etc..

Heavy Duty



Gauge : 22G
Type : JT21
Range : 4~14mm



MILTS5585K

All metal robust construction. Sleek design with no loose part. With force adjustment knob. Easy drop-in loading with reload indicator. Handle lock for easy storage.



Perfect for:

- Textile
- Leather.



COMPACT STAPLER 33% Easier to squeeze



Gauge : 22G
Type : JT21
Range : 6~10mm



Perfect for:

- Posters
- Netting
- Textile
- Frames
- Canvas

MILTP5525

Light weight high impact plastic body with metal handle. Compact design with no loose parts. Easy drop-in loading with reload indicator. Handle lock for easy storage. Best for DIY enthusiasts.



MILTP5525C2

Staple gun kit which includes one Stapler - TP 5525 & one box of Staples No.3-8mm (1000 staples)



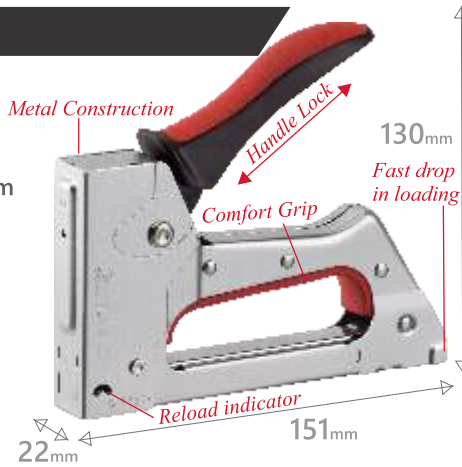
UTILITY STAPLER



Gauge : 22G
Type : JT21
Range : 6~10mm

Perfect for:

- Textile
- Posters
- Netting
- Frames
- Canvas



MILTS5580R

All metal robust construction. Compact design with no loose part. Easy drop-in loading with reload indicator. Handle lock for easy storage. Elegant soft rubber grip for extra working comfort.



Staple Remover



MILISR34

Robust metal construction with ergonomically designed plastic handle to ensure the safety of knuckles of users hand during operation. Easily lifts heavy duty staples. In-built clamping avoids staple kick back.



- Drop-in Loading
- No loose Parts



1000 Pieces
Galv Staples 22G JT21
Crown 11.40mm



- MILSTAP3-6** 6mm
- MILSTAP3-8** 8mm
- MILSTAP3-10** 10mm
- MILSTAP3-12** 12mm
- MILSTAP3-14** 14mm



1000 Pieces
Galv Brad Nail
T14 18G
MILSTAP8-14
14mm

- MILTP5525
- MILTP5525C2
- MILTS5580R
- MILTS5585K

- MILTS5670T



1250 Pieces
Galv Staples 18G T50
Crown 10.50mm



- MILSTAP4-6** 6mm
- MILSTAP4-8** 8mm
- MILSTAP4-10** 10mm
- MILSTAP4-12** 12mm
- MILSTAP4-14** 14mm



1000 Pieces
Galv Headless
Pin 18G
MILSTAP9-14
14mm

- MILTS5585K

- MILTS5670T

